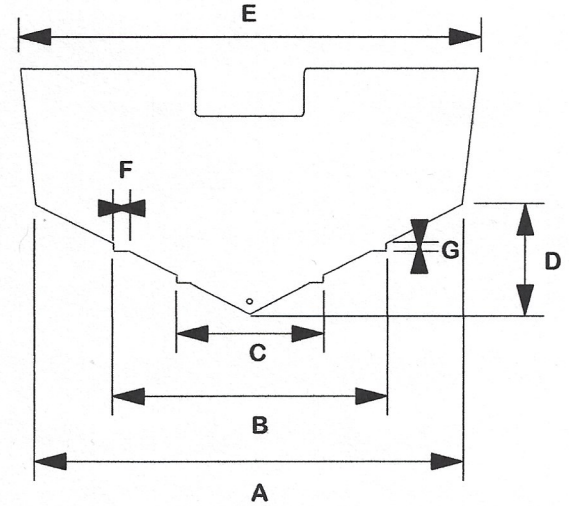
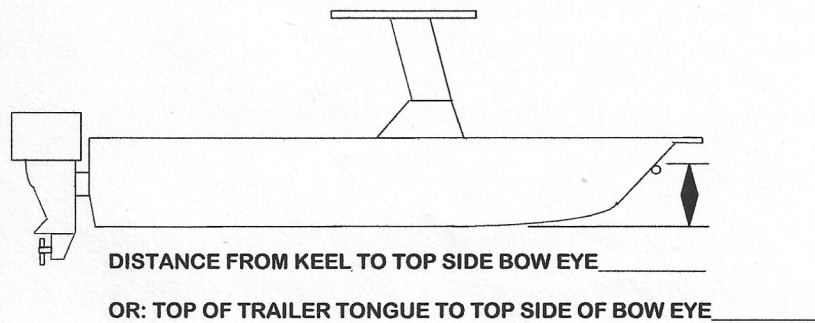
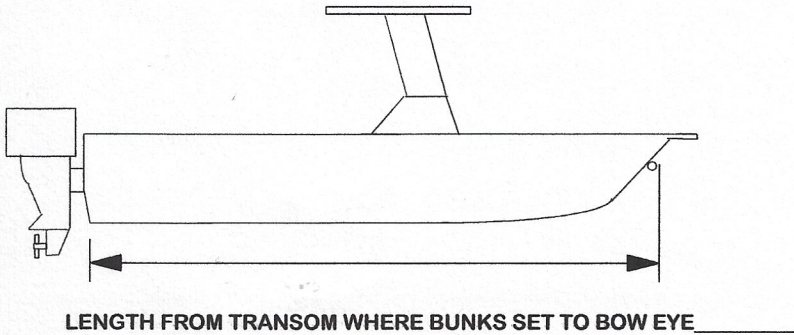
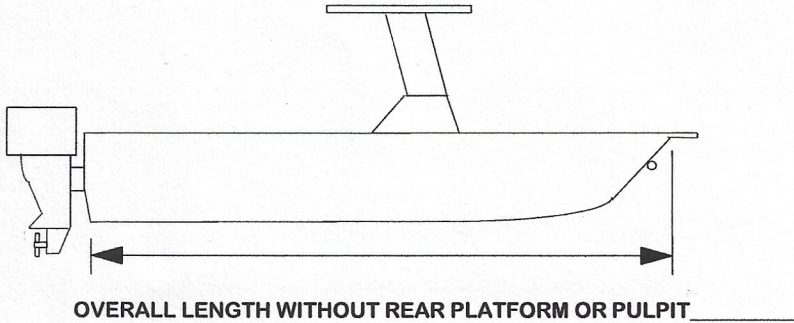


ROAD KING TRAILERS / BOAT MEASUREMENT CHART

BOAT MANUFACTURER _____ MODEL _____

BOAT HULL WEIGHT _____ ENGINE _____ FUEL _____

"V-BOTTOM BOAT"



- A= BOTTOM WIDTH OF BOATS _____
- B= OUTER CHINE _____
- C= INNER CHINE _____
- D= RISE IN HULL _____ DEGREE _____
- E= WIDEST BEAM OF BOAT _____
- F= FLAT PART OF CHINE WIDTH _____
- G= DEPTH OF CHINE _____

REQUIRES 2 PIECE WINCH STAND?: _____

PULPIT: _____ WINDLESS: _____

DEALER NAME: _____

MEASURED BY: _____

DATE: _____